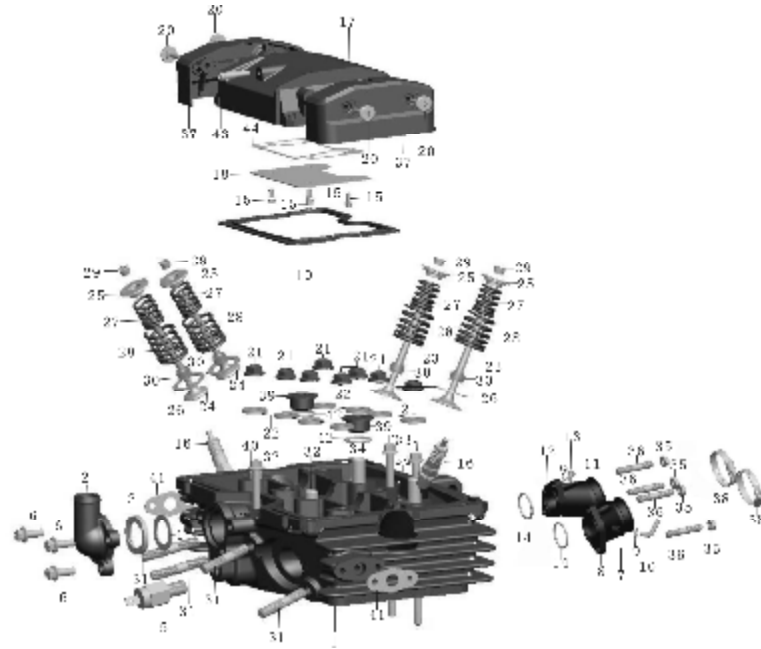


E-1: 气缸盖总成 (Cylinder head assembly) 新开模具

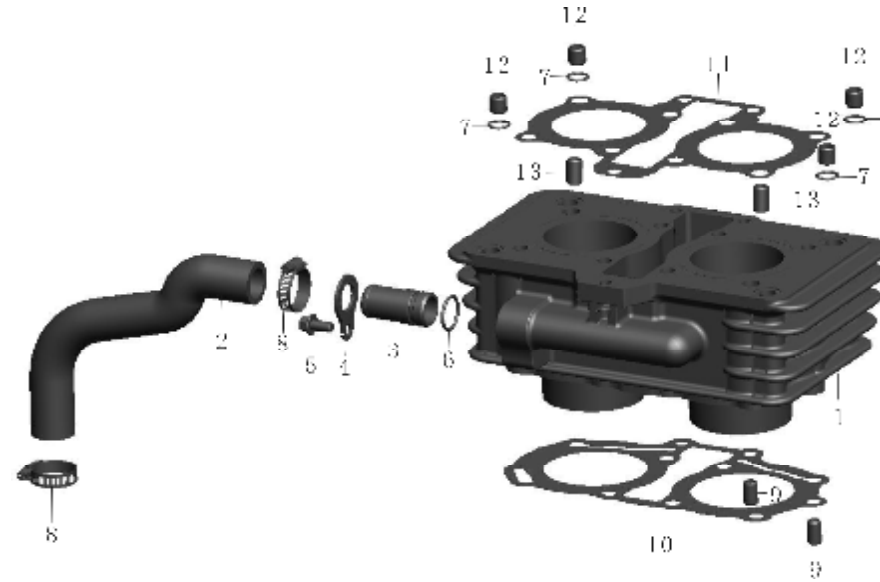


E-1: 气缸盖总成 (Cylinder head assembly) 新开模具

序号	物料编码	旧零件图号	新零件图号	物料名称	物料名称	用量	设计变更	设计变更时间	单价	单价	备注
NO.	PART CODE	Old drawing ref.code	New drawing	Description	Description	Quantity	Desi an	Date	RMB	USD	Re ma
1	2.22.0101.10008	DD262MP-0101101		汽缸盖 (亚光黑)	Head comp_cylinder	1			196.00	28.82	
2	2.22.0101.02508	DD262MP-0101025		缸盖出水管接头黑)	hose connector_cyliner_black	1			4.00	0.59	
3	2.23.0117.32200	DD250E-9-0117322		节温器垫圈Φ30×Φ20×	rusher_thermosat	1			1.50	0.22	
4	2.23.0117.32100	DD250E-9-0117321		节温器橡胶垫	rubber seat_thermosat	1			2.00	0.29	
5	2.23.0117.31000	DD250E-9-0117310A		水温感应器	tem sensor	1			28.00	4.12	
6	2.20.0108.0040S	DD250E-0108004A		螺栓 M6×20	bolt M6*20	3			1.00	0.15	
7	2.22.0101.20000	DD262MP-0101201		左进气管	right manifold_intake	1			11.00	1.62	
11	2.22.0101.30000	DD262MP-0101300		右进气管	right manifold_intake	1			11.00	1.62	
14	2.20.0101.20200	DD250E-0101202A		O形圈 φ26×2.5	O-ring φ26×2.5	2			1.00	0.15	
15	2.99.26.060120R	GB5787-86		螺栓 M6×12-ZnD	Bolt M6×12	4			0.500	0.07	
16	2.30.0101.50020	DD150E-4-0101500		火花塞 CR7HSANGK)	NGK	2			15.00	2.21	
17	2.19.0101.00108	DD300A-0101024		汽缸盖罩 (亚光黑)	Cover_cylinder head	1			68.00	10.00	
18	2.19.0101.04200	DD300A-0101042		汽缸盖罩盖板	coverplate_cyliner cover	1			5.00	0.74	
19	2.20.0101.00300	DD250E-0101003A		汽缸盖罩密封垫片	packing_head cover	1			10.00	1.47	
20	2.20.0101.0040S	DD250E-0101004A		汽缸盖罩连接螺钉	Connect screw of cover	4			2.5000	0.37	
21	2.20.0101.0050R	DD250E-0101005B		汽缸盖螺母 M8	Nut_hex M8 4	8			1.00	0.15	
22	2.20.0101.0060R	DD250E-0101006A		平垫圈 8	Washer 8	8			0.50	0.07	
23	2.22.0101.00700	DD262MP-0101007		进气门	Valve_in	2			8.00	1.18	
24	2.22.0101.00800	DD262MP-0101008		排气门	Valve_ex	2			10.00	1.47	
25	2.20.0101.00900	DD250E-0101009B		气门弹簧上座圈	Retainer_valve spring	4			1.70	0.25	
26	2.20.0101.01100	DD250E-0101011A		气门弹簧下座圈	Seat_valve spring outer	4			1.00	0.15	
27	2.20.0101.01200	DD250E-0101012		气门内弹簧	Spring_valve inner	4			2.00	0.29	
28	2.20.0101.01300	DD250E-0101013		气门外弹簧	Spring_valve outer	4			3.30	0.49	
29	2.20.0101.01400	DD250E-0101014B		气门锁夹	Cotter_valve	8			1.00	0.15	
30	2.20.0101.02000	DD250E-0101120A		气门导管油封	Seal_valve stem	4			2.50	0.37	
31	2.20.0101.0150R	DD250E-0101015A		排气管双头螺栓 M8×4	Bolt stud of escape pipe	4			1.50	0.22	
32	2.20.0101.01600	DD250E-0101016A		定位销 φ10×16	Pin_dowel 10×16	2			0.80	0.12	
33	2.20.0101.0170R	DD250E-0101017A		螺栓 M6×145	Bolt M6×145	2			1.50	0.22	
34	2.20.0101.01900	DD250E-0101019A		长定位套 φ10×28	Pin_dowel 10×28	2			1.00	0.15	
35	2.99.43.060000R	GB/T61772-2000 GB6177-86		螺母 M6-ZnD	Nut M6-ZnD	4			1.00	0.15	
36	2.20.0101.0220R	DD250E-0101022A		双头螺栓 M6×29	Bolt stud M6×29	4			1.00	0.15	
37	2.23.0101.0230S	DD250E-9-0101023		汽缸盖罩侧盖	Side cover_cylinder head	2			28.0000	4.12	
38	2.20.0101.03000	DD250E-0101030A		软管卡箍 φ42)	Band insulator 1x44	2			1.50	0.22	

39	2.23.0101.10700	DD150E-8-0101107		内六角螺钉18×1.5	Bolt stops	2			2.000000	0.29	
40	2.23.0101.0180S	DD250E-9-0101018		螺栓M6×83	Bolt M6×83	1			0.80	0.12	
41	2.20.0101.61200	DD250E-0101612		补气管纸垫	Gasket	2			1.00	0.15	
42	2.23.0101.10100	DD250E-9-0101101		O形圈15.2×2.5	O-ring Φ15.2x2.5	2			1.0000	0.15	
43	2.20.0103.1090R	DD250E-0103109		皮管套	Rubber pipe cover	1			1.50	0.22	
44	2.19.0101.04110	DD300A-0101041		汽缸盖罩纸垫(非石棉)	gasket,cylinder cover (non asbe)	1			7.00	1.03	

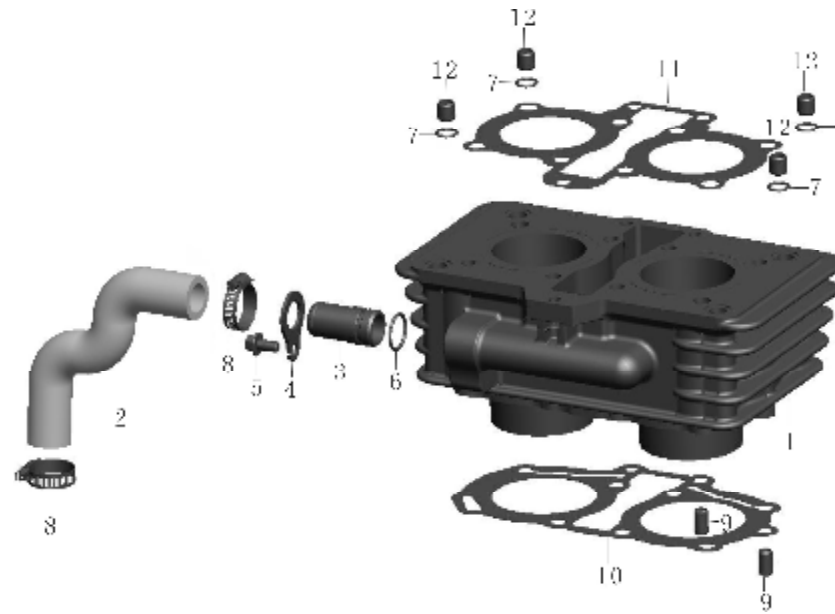
E-2: 气缸体总成 (Cylinder assembly)



E-2: 气缸体总成 (Cylinder assembly)

序号	物料编码	旧零件图号	新零件图号	物料名称	物料名称	用量	设计变更	设计时间	单价	单价	备注
NO.	PART CODE	Old drawing ref.code	New drawing ref.code	Description	Description	Quantity	Design change	Date	RMB	USD	Remark
1	2.22.0102.10008	DD262MP-0102100		气缸体组件渗淘)银灰	Cylinder comp	1			280.00	41.20	
2	2.23.0102.00400	DD250E-9-0102004B		缸体进水管 Φ17.5	Hose, cylinder	1			10.80	1.59	
3	2.23.0101.0250S	DD250E-9-0101025		水管接头	Hose connector	1			3.00	0.44	
4	2.23.0101.0240S	DD250E-9-0101024		水管接头压板	Hose connector setting plate	1			0.50	0.07	
5	2.99.26.060120S	GB5787-86		螺栓 M6×12(镀铬)	Bolt M6×12	1			1.50	0.22	
6	2.23.0101.02600	DD250E-9-0101026		水管接头O形圈 Φ17×2	O-ring Φ17X2	1			0.50	0.07	
7	2.20.0101.10300	DD250E-0101103A		气门导管O形圈 10X1.6	O-ring Φ10×1.6	4			0.50	0.07	
8	2.23.0117.01000	DD250E-9-0117010		管夹 Φ27)	Hose clip	2			2.00	0.29	
9	2.20.0102.00100	DD250E-0102001		定位销 Φ8×14	Pin, dowel Φ8×14	2			0.50	0.07	
10	2.22.0102.00200	DD262MP-0102002		汽缸下垫片	Gasket, cylinder	1			4.00	0.88	
11	2.22.0102.00300	DD262MP-0102003		汽缸上垫片	Gasket, cylinder head	1			20.00	2.94	
12	2.23.0102.00600	DD250E-9-0102006		定位销 Φ10×10	Pin, dowel 10×10	4			0.50	0.07	
13	2.20.0101.01600	DD250E-0101016A		定位销 Φ10×16	Pin, dowel Φ10×16	2			0.80	0.12	

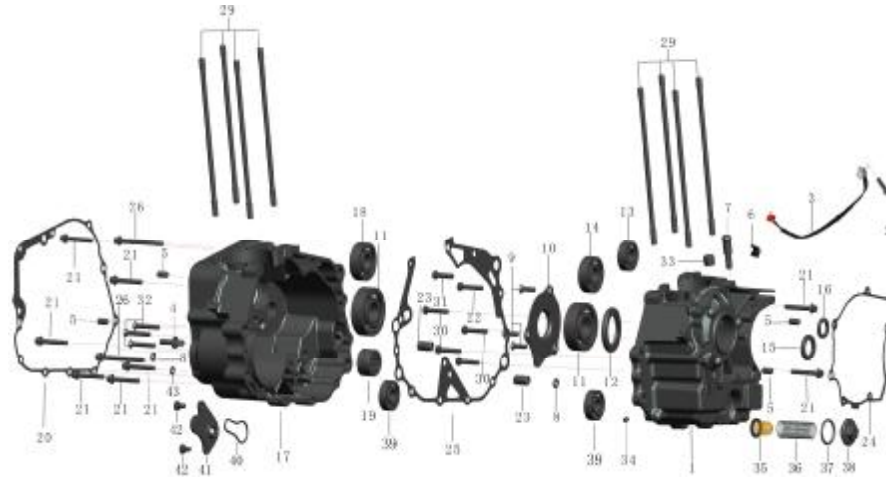
E-2: 气缸体总成 (Cylinder assembly) (与右盖新模匹配)



E-2: 气缸体总成 (Cylinder assembly) (与右盖新模匹配)

序号	物料编码	旧零件图号	新零件图号	物料名称	物料名称	用量	设计变更	设计变更时间	单价	单价	备注
NO.	PART CODE	Old drawing ref.code	New drawing ref.code	Description	Description	Quantity	Design change	Date	RMB	USD	Remark
1	2.22.0102.10008	DD262MP-0102100		气缸体组件(渗淘)银灰	Cylinder comp	1			280.00	41.18	
2	2.23.0102.00410	DD253MM-0102004		缸体进水管(新)	Hose_cylinder	1			9.00	1.32	
3	2.23.0101.0250S	DD250E-9-0101025		水管接头	Hose connector	1			3.00	0.44	
4	2.23.0101.0240S	DD250E-9-0101024		水管接头压板	Hose connector setting plate	1			0.50	0.07	
5	2.99.26.060120S	GB5787-86		螺栓 M6×12(镀铬)	Bolt M6×12	1			1.50	0.22	
6	2.23.0101.02600	DD250E-9-0101026		水管接头O形圈 Φ17×2	O-ring Φ17X2	1			0.50	0.07	
7	2.20.0101.10300	DD250E-0101103A		气门导管O形圈 10X1.6	O-ring Φ10×1.6	4			0.50	0.07	
8	2.23.0117.01000	DD250E-9-0117010		管夹 Φ27)	Hose clip	2			2.00	0.29	
9	2.20.0102.00100	DD250E-0102001		定位销 Φ8×14	Pin, dowl Φ8×14	2			0.50	0.07	
10	2.22.0102.00210	DD262MP-0102002		汽缸下垫片(非石棉)	Gasket_cylinder (non	1			4.00	0.59	
11	2.22.0102.00300	DD262MP-0102003		汽缸上垫片	Gasket_cylinder head	1			20.00	2.94	
12	2.23.0102.00600	DD250E-9-0102006		定位销 Φ10×10	Pin, dowl 10×10	4			0.50	0.07	
13	2.20.0101.01600	DD250E-0101016A		定位销 Φ10×16	Pin, dowl Φ10×16	2			0.80	0.12	

E-3: 曲轴箱总成 (Crankcase assembly) -带档显

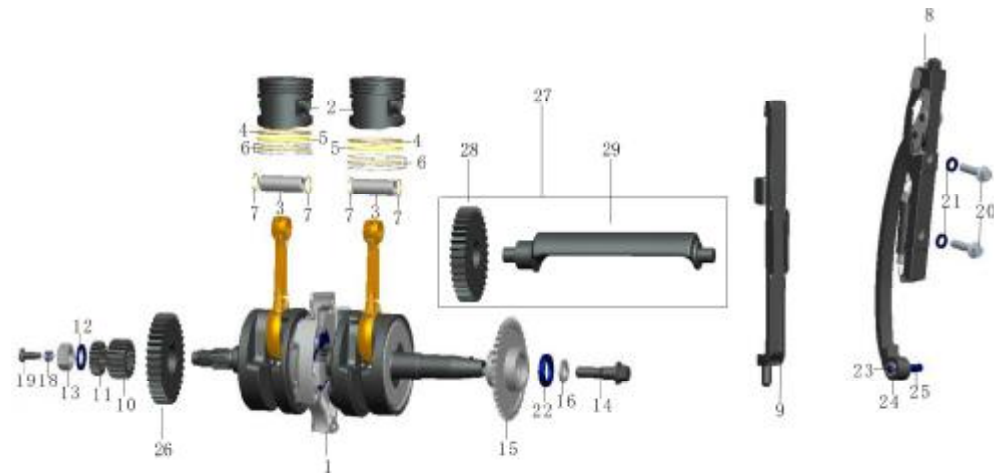


E-3. 曲轴箱总成 (Crankcase assembly) -带档显

序号	物料编码	旧零件图号	新零件图号	物料名称	物料名称	用量	设计变更	设变时间	单价	单价	备注
NO.	PART CODE	Old drawing ref.code	New drawing ref.code	Description	Description	Quantity	Design change	Date	RMB	USD	Remark
1	2.22.0103.19003	DD262MP-0103190B		左曲轴箱 (银灰色)	Left crankcase	1			150.00	22.06	
2	2.99.26.060120R	GB5787-86		螺栓 M6×12-ZnD	Bolt M6×12	1			0.50	0.07	
3	2.20.0103.17000	DD250E-0103170		档位显示器长320)	Transmishion indercator	1			14.00	2.06	
4	2.20.0103.02200	DD250E-0103022A		顶柱	Pin, shift	1			0.60	0.09	
5	2.20.0102.00100	DD250E-0102001		定位销 φ8×14	Pin, dowel 8×14	4			0.50	0.07	
6	2.20.0103.10700	DD250E-0103107A		发动机输出线护套	jacket, outlet	1			2.50	0.37	
7	2.20.0103.1090R	DD250E-0103109		皮管套	Rubber pipe cover	1			1.50	0.22	
8	2.20.0103.11100	DD250E-0103111A		O形圈 6×3	O-ring 6×3	2			2.00	0.29	
9	2.99.05.060160R	GB819-85		螺钉 M6×16	Screw M6×16	3			0.50	0.07	
10	2.20.0103.12000	DD250E-0103120		通油盘	Plate, oil through	1			11.00	1.62	
11	2.99.70.0630500	GB/T276-94		轴承 6305-Z/P6	Bearing 6305/P6	2			18.00	2.65	
12	2.20.0103.13000	DD250E-0103130		油封 35×52×7V1)	Oil seal35×52×7	1			9.80	1.44	
13	2.99.70.0620200	GB/T276-94		轴承 6202-Z/P6	Bearing 6202-Z/P6	1			5.00	0.74	
14	2.20.0103.14000	DD250E-0103140A		轴承 22×47×14	Bearing 22×47×14-RS/P6	1			9.00	1.32	
15	2.20.0103.15000	DD250E-0103150		油封 22×34×7	Oil seal22×34×7	1			7.00	1.03	
16	2.20.0103.16000	DD250E-0103160		油封 11.6×24×10	Oil seal11.6×24×10	1			2.20	0.32	
17	2.22.0103.21003	DD262MP-0103210B		右曲轴箱 (银灰色)	Right crankcase	1			200.00	29.41	
18	2.99.70.0630400	GB/T276-94		轴承 6304/P6	Roller bearing 6304/P6	1			9.50	1.40	
19	2.20.0103.22000	DD250E-0103220A		轴承 NK152312	Needle-bearing NK152312	1			7.00	1.03	
20	2.22.0103.00100	DD262MP-0103001		右曲轴箱盖纸垫 (非石棉)	Gasket, right crankcase cover	1			3.00	0.44	
21	2.20.0112.0010S	DD250E-0112001A		螺栓 M6×40	Bolt M6×40	8			1.00	0.15	
22	2.20.0103.0210R	DD250E-0103021A		螺栓 M8×1×30	Bolt M8×1×30	1			1.00	0.15	
23	2.20.0103.00500	DD250E-0103005A		定位套 φ12×20	Pin, dowel 12×20	2			1.00	0.15	
24	2.20.0103.00610	DD250E-0103006B		隔板纸垫 (非石棉)	Gasket, side spacer	1			2.50	0.37	
25	2.22.0103.00720	DD262MP-0103007A		箱体纸垫 (无石棉)	Gasket, crankcase	1			7.00	1.03	
26	2.20.0108.0060S	DD250E-0108006A		螺栓 M6×65	Bolt M6×65	2			1.00	0.15	
27	2.20.0103.0110R	DD250E-0103011A		螺塞 M12×1.5	Screw M12×1.5	1			1.50	0.22	
28	2.20.0103.01200	DD250E-0103012A		垫圈 12	Washer 12	1			1.00	0.15	
29	2.20.0103.01500	DD250E-0103015A		汽缸盖双头螺栓	Bolt, cylinder head stud	8			2.60	0.38	
30	2.20.0103.0160R	DD250E-0103016A		螺栓 M8×1×35	Bolt M8×1×35	4			0.60	0.09	
31	2.22.0103.02300	DD262MP-0103023		螺栓M7×19	Bolt M7×1×19	1			1.00	0.15	

32	2.99.05.060320R	GB819-85		螺钉 M6×32-ZnD	Screw M6×32-ZnD	3			0.50	0.07
33	2.20.0103.10100	DD250E-0103101		大闷头 φ14		1			0.50	0.07
34	2.20.0103.10200	DD250E-0103102		小闷头 φ6		1			0.50	0.07
35	2.52.0103.09200	DD150E-2-0103092		机油滤网组件	screen_oil filter	1			5.00	0.74
36	2.19.0112.00400	DD300A-0112004		机油滤网弹簧	spring_oil filter	1			3.00	0.44
37	2.90.0101.01800	DD50E (1B) -0101018		O形密封圈 30.8×3.2	O ring_30.8*3.2	1			0.70	0.10
38	2.90.0100.08300	JH70.20108		气门盖	valve cover	1			4.00	0.59
39	2.99.70.0630110	GB/T276-94		轴承 6301/P5	bearing 6301/P5	2			10.00	1.47
40	2.22.0106.02600	DD262MP-0103026		机油泵密封圈	seal ring_oil pump	1			4.00	0.59
41	2.22.0103.02400	DD262MP-0103024		机油泵压板	pressing plate, oil pump	1			1.50	0.22
42	2.99.04.050080R	GB/T 818-2000		螺钉 M5×8	screw M5*8	2			1.50	0.22
43	2.22.0103.02500	DD262MP-0103025		O形圈 8×3	O ring 8*3	1			1.50	0.22

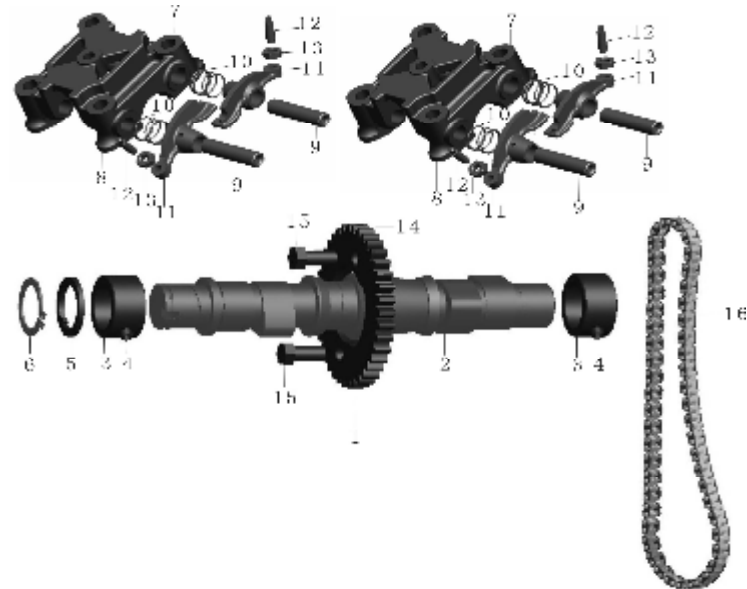
E-4: 曲轴连杆总成 (Crankshaft connecting rod piston assembly)



E-4: 曲轴连杆总成 (Crankshaft connecting rod piston assembly)

序号	物料编码	旧零件图号	新零件图号	物料名称	物料名称	用量	设计变更	设变时间	单价	单价	备注
NO.	PART CODE	Old drawing ref.code	New drawing ref.code	Description	Description	Quantity	Design change	Date	RMB	USD	Remark
1	2.22.0104.10020	DD262MP-0104100A		曲轴连杆组件(外销)	Crankshaft comp	1			340.00	50.00	
2	2.22.0104.20100	DD262MP-0104201		活塞	piston	2			38.00	5.59	
3	2.22.0104.20200	DD262MP-0104202		活塞销	Pin, piston	2			2.50	0.37	
4	2.22.0104.20300	DD262MP-0104203		第一道活塞环	1st piston ring	2			30.00	4.41	
5	2.22.0104.20400	DD262MP-0104204		第二道活塞环	2nd piston ring	2			4.40	0.65	
6	2.22.0104.21000	DD262MP-0104210		组合油环	Oil seal set	2			3.00	0.44	
	2.22.0104.21100	DD262MP-0104211		涨环	expander ring	2			10.00	1.47	
	2.22.0104.21200	DD262MP-0104212		刮片	Scaper	4			10.00	1.47	
7	2.20.0104.20500	DD250E-0104205A		活塞销孔挡圈	Clip, piston pin	4			0.50	0.07	
8	2.20.0104.30020	DD250E-0104300A		链条张紧器(弘宇)	Chain stretching comp	1			36.50	5.37	
9	2.20.0104.00110	DD250E-0104001A		链条导向板(弘宇)	Guide, cam chain	1			14.00	2.06	
10	2.20.0104.00200	DD250E-0104002A		初级传动齿轮	Gear, primary drive	1			23.00	3.38	
11	2.23.0104.00300	DD250E-9-0104011		机油泵驱动齿轮	Gear, oil pump drive	1			15.00	2.21	
12	2.20.0104.00400	DD250E-0104004A		弹性垫圈(小)	Washer, lock	1			0.50	0.07	
13	2.20.0104.0050R	DD250E-0104005A		六角螺母 M16×1	Nut, hex M16x1	1			1.00	0.15	
14	2.20.0104.0060R	DD250E-0104006C		曲轴螺栓	Bolt, rotor setting	1			2.00	0.29	
15	2.20.0104.00700	DD250E-0104007B		链轮(加大)	Sprocket comp, starting	1			35.00	5.15	
16	2.20.0104.00800	DD250E-0104008		垫圈 12	Washer 12	1			0.50	0.07	
17	2.20.0104.00900	DD250E-0104009A		销 Φ2×14	Pin Φ2x14	1			0.50	0.07	
18	2.20.0104.01100	DD250E-0104011A		出油管弹簧	Spring, oil through	1			0.80	0.12	
19	2.20.0104.01200	DD250E-0104012A		出油管	Through oil	1			2.00	0.29	
20	2.20.0104.0130R	DD250E-0104013A		螺栓 M6×26	Bolt M6x26	2			1.00	0.15	
21	2.20.0104.01400	DD250E-0104014A		垫圈 6	Washer 6	2			0.50	0.07	
22	2.20.0104.02000	DD250E-0104020		油封 22×31×5(VI)	Oil seal 22x31x5	1			6.00	0.88	
23	2.20.0104.01500	DD250E-0104015A		平垫圈6	Washer	1			0.50	0.07	
24	2.20.0104.01600	DD250E-0104016B		弹性销	Flexible spring	1			0.50	0.07	
25		GB119-86		销B6X14	pin B6*14	1			1.00	0.15	
27	2.22.0104.40000	DD262MP-0104400		平衡轴组件	balance shaft assy	1			50.00	7.35	

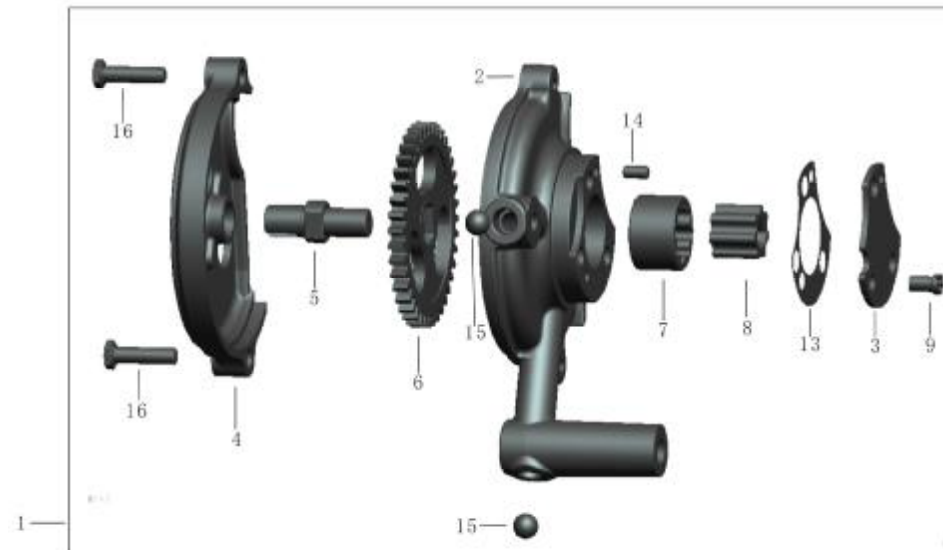
E-5: 配气机构总成 (Allot air organization assembly)



E-5: 配气机构总成 (Allot air organization assembly)

序号	物料编码	旧零件图号	新零件图号	物料名称	物料名称	用量	设计变更	设计变更时间	单价	单价	备注
NO.	PART CODE	Old drawing ref.code	New drawing ref.code	Description	Description	Quantity	Design change	Date	RMB	USD	Remark
1	2.20.0105.10000	DD250E-0105100		凸轮轴组件	Camshaft	1			51.00	8.53	
2	2.20.0105.10000	DD250E-0105101A		凸轮轴组件	Camshaft	1			58.00	0.74	
3	2.20.0105.10210	DD250E-0105102A		凸轮轴承套(宁波)	Bush, camshaft	2			5.00	0.07	
4	2.20.0105.10300	DD250E-0105103A		凸轮轴承套定位油套	Pin, dowel bush camshaft	2			0.50	0.03	
5	2.99.63.0200000	GB/T894. 2-86		轴用弹性挡圈20	Circlip, externa 20	1			0.20	0.15	
6	2.20.0105.10500	DD250E-0105105A		凸轮轴端垫圈	Washer, thrust	1			1.00	6.18	
7	2.22.0105.20000	DD262MP-0105200		凸轮轴承盖组件	Holder comp, camshaft M8	2			50.00	2.65	
14	2.20.0105.00110	DD250E-0105001A		凸轮轴链轮泰州	Sprocket, cam	1			18.00	2.65	
15	2.20.0105.0020C	DD250E-0105002A		链轮紧固螺栓 M7×13	Bolt M7×13	2			1.00	0.15	
16	2.20.0105.30000	DD250E-01053000A		正时齿形链	Chain, cam	1			112.50	16.54	

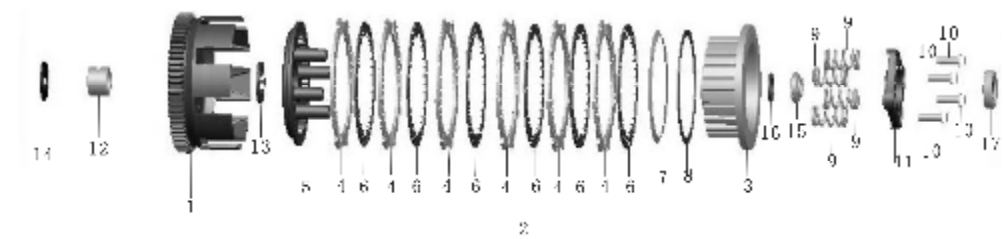
E-6: 机油泵总成 (Oil pump assembly)



E-6: 机油泵总成 (Oil pump assembly)

序号	物料编码	旧零件图号	新零件图号	物料名称	物料名称	用量	设计变更	设计变更时间	单价	单价	备注
NO.	PART CODE	Old drawing ref.code	New drawing ref.code	Description	Description	Quantity	Design change	Date	RMB	USD	Remark
1	2.23.0106.00000	DD250E-9-0106000	DD150E-8	油泵分总成	Pump assy,oil	1			164.00	24.12	

E-7: 离合器总成 (Clutch assembly)

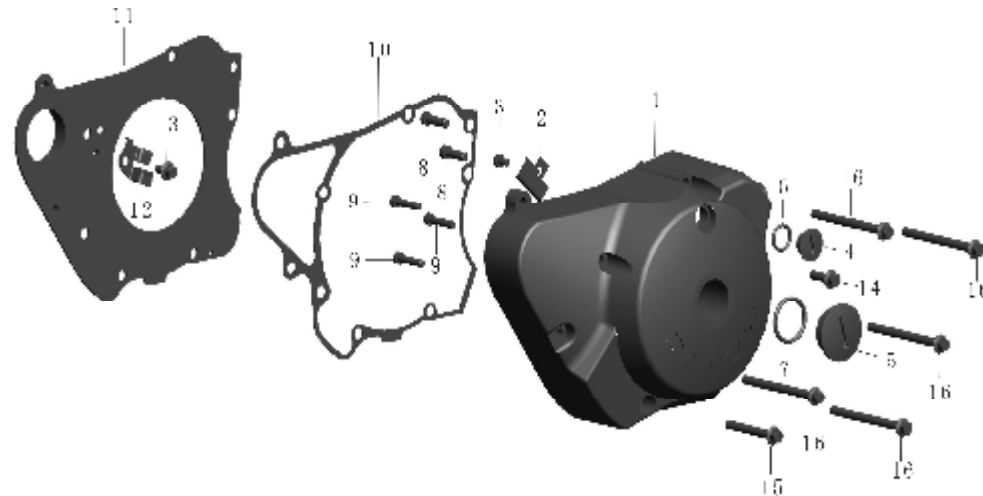




**E-7: 离合器总成 (Clutch assembly)**

序号	物料编码	旧零件图号	新零件图号	物料名称	物料名称	用量	设计变更	设变时间	单价	单价	备注
NO.	PART CODE	Old drawing ref.code	New drawing ref.code	Description	Description	Quantity	Design change	Date	RMB	USD	Remark
1	2.20.0107.11000	DD250E-0107110A		外壳组合	Outer comp. clutch	1			75.00	11.03	
2	2.20.0107.12000	DD250E-0107120A		中心架组合	Center frame comp	1			69.00	10.15	
4	2.20.0107.12210	DD250E-0107122A		摩擦片(长命)	Disk, clutch friction	6			4.00	0.59	
6	2.20.0107.12400	DD250E-0107124A		中间片	Plate, clutch	7			2.70	0.40	
14	2.20.0107.00100	DD250E-0107001A		垫圈 20	Washer	1			0.50	0.07	
15	2.20.0107.00200	DD250E-0107002A		圆螺母	Circular nut	1			2.00	0.29	
16	2.20.0107.00300	DD250E-0107003A		弹性垫圈大)	Washer, thrust	1			0.50	0.07	
17	2.20.0107.20000	DD250E-0107200A		推力轴承	Pushing bearing	1			11.50	1.69	

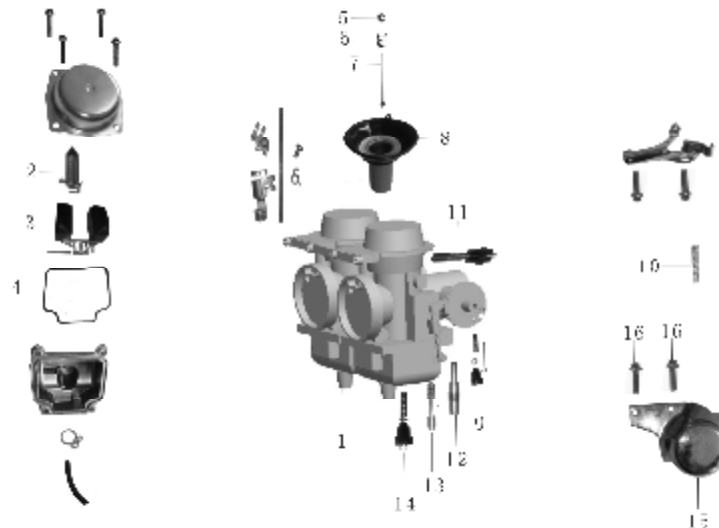
**E-8: 左曲轴箱盖总成 (Left crankcase cover assembly)**



**E-8: 左曲轴箱盖总成 (Left crankcase cover assembly)**

序号	物料编码	旧零件图号	新零件图号	物料名称	物料名称	用量	设计变更	设计时间	单价	单价	备注
NO.	PART CODE	Old drawing ref.code	New drawing ref.code	Description	Description	Quantity	Design change	Date	RMB	USD	Remark
1	2.20.0108.10108	DD250E-0108101A		左曲轴箱盖DADYW亚光	Cover, left crankcase	1			82.00	18.82	
2	2.20.0108.1020R	DD250E-0108102A		压线板	Tension Disc	1			1.20	0.18	
3	2.99.03.050080R	GB70-85		内六角螺钉 M5×8	Screw, hex M5×30-ZnD	1			0.50	0.07	
4	2.20.0108.1030S	DD250E-0108103A		螺塞 M14×1.5	Screw M14×1.5	1			2.35	0.35	
5	2.20.0108.1040S	DD250E-0108104A		螺塞 M30×1.5	Screw M30×1.5	1			3.76	0.55	
6	2.20.0108.10500	DD250E-0108105		O形圈 13.8×2.5	O-ring 13.8×25	1			1.00	0.15	
7	2.20.0108.10600	DD250E-0108106		O形圈 25.8×3.1	O-ring 25.8×3.1	1			1.00	0.15	
8	2.99.03.060200R	GB70-85		内六角螺钉 M6×20	Screw, hex M6×20-ZnD	2			0.50	0.07	
9	2.99.03.050250R	GB70-85		内六角螺钉 M5×25	Screw, hex M5×30-ZnD	3			0.50	0.07	
10	2.20.0108.00110	DD250E-0108001A		左曲轴箱盖纸垫 (非石棉)	Gasket, left crankcase cover	1			6.00	0.88	
11	2.20.0108.0020R	DD250E-0108002A		隔板	Spacer comp, left side	1			10.00	1.47	
12	2.20.0108.00300	DD250E-0108003A		链轮定位板	Plate, starting sprocket setting	1			0.50	0.07	
13	2.99.26.060100R	GB5787-86 M6×10		螺栓M6×10-ZnD	Bolt M6×10-ZnD	1			0.80	0.12	
14	2.20.0108.0040S	DD250E-0108004A		螺栓M6×20	Bolt M6×20	1			1.00	0.15	
15	2.20.0112.0020S	DD250E-0112002A		螺栓M6×50	Bolt M6×50	1			1.00	0.15	
16	2.20.0108.0060S	DD250E-0108006	DD250E-01	螺栓M6×65	Bolt M6×65	5			1.00	0.15	

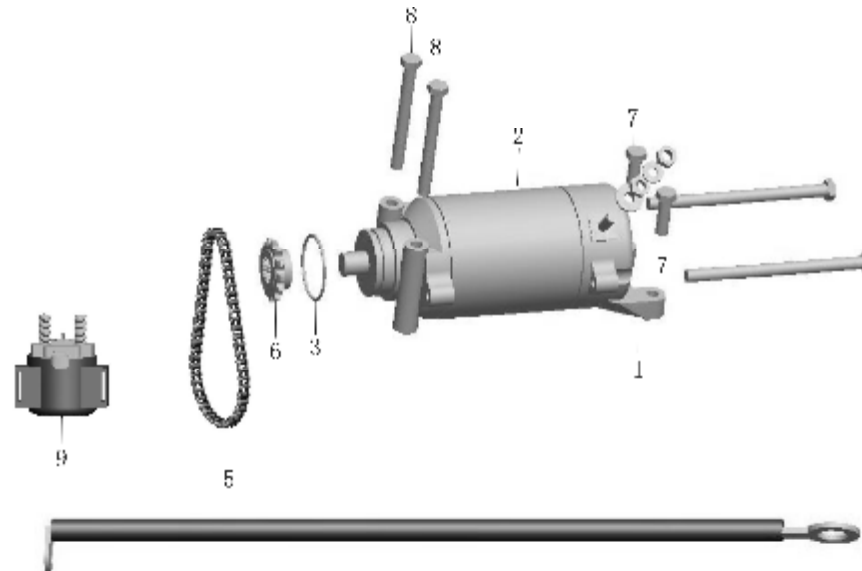
**E-9: 化油器总成 (双腔) (Carburetor assembly)**



E-9: 化油器总成 (双腔) (Carburetor assembly)

序号	物料编码	旧零件图号	新零件图号	物料名称	物料名称	用量	设计变更	设计时间	单价	单价	备注
NO.	PART CODE	Old drawing ref.code	New drawing ref.code	Description	Description	Quantity	Design change	Date	RMB	USD	Remark
1	2.20.0109.10010	DD250E-0109100		化油器组件	Carburetor. assy	1			350.00	51.47	
15	2.20.0109.0010S	DD250E-0109001		化油器装饰盖	Decorative cover, carburetor	1			38.00	5.59	

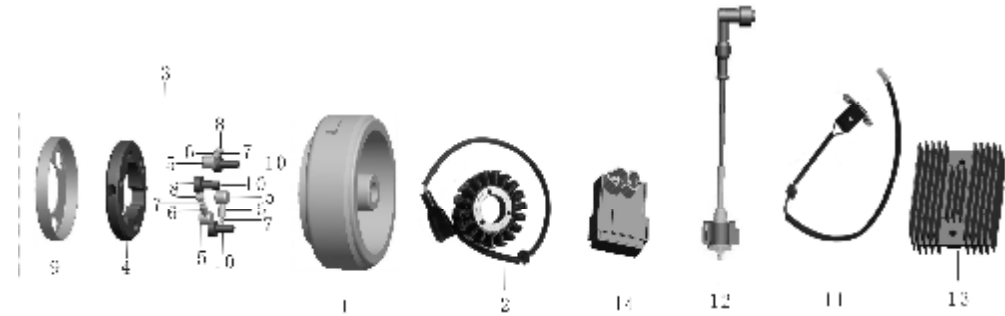
E-10: 电启动总成 (Electricity starting assembly)



**E-10: 电启动总成 (Electricity starting assembly)**

序号	物料编码	旧零件图号	新零件图号	物料名称	物料名称	用量	设计变更	设变时间	单价	单价	备注
NO.	PART CODE	Old drawing ref.code	New drawing ref.code	Description	Description	Quantity	Design change	Date	RMB	USD	Remark
1	2.20.0110.10000	DD250E-0110100		启动电机组件	Starting motor	1			200.00	29.41	
4	2.20.0110.11000	DD250E-0110110		启动电机连接线	connecting cable, starting motor	1			6.00	0.88	
5	2.20.0110.30000	DD250E-0110300A		启动电机链条	Chain, starting	1			12.80	1.88	
6	2.20.0110.10200	DD250E-0110102A		启动电机链轮	Sprocket, starting motor	1			9.00	1.32	
7	2.20.0110.0010S	DD250E-0110001	DD250E-01	螺栓M6×22	Bolt M6×22	2			1.00	0.15	
8	2.20.0108.0060S	DD250E-0108006A		螺栓M6×65	Bolt M6×65	2			1.00	0.15	
9	2.20.011020000	DD250E-0110200		启动继电器	starting relay	1			14.00	2.06	

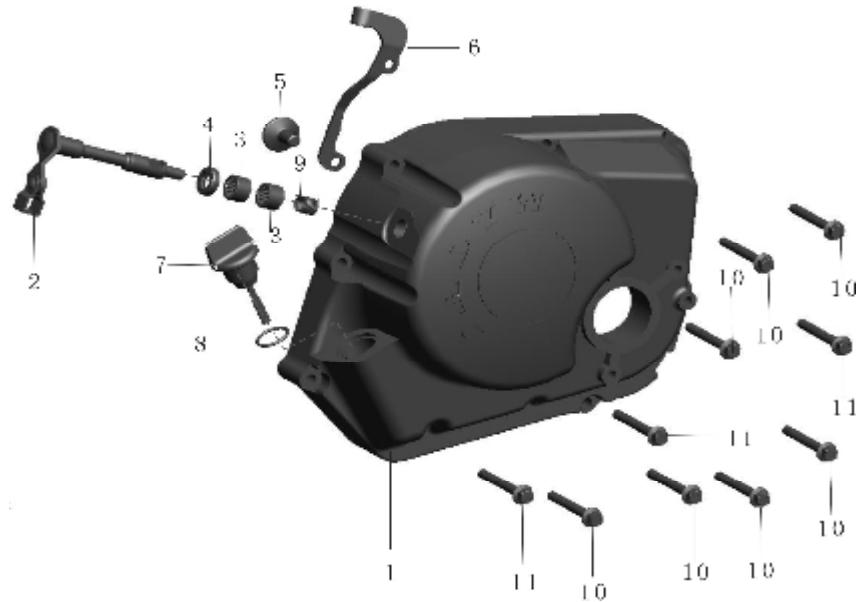
**E-11: 电器系统分总成 (Electrical system)**



**E-11: 电器系统分总成 (Electrical system)**

序号	物料编码	旧零件图号	新零件图号	物料名称	物料名称	用量	设计变更	设变时间	单价	单价	备注
NO.	PART CODE	Old drawing ref.code	New drawing ref.code	Description	Description	Quantity	Design change	Date	RMB	USD	Remark
1	2.23.0111.11000	DD250E-0111110B		飞轮分组件	Flywheel comp	1			60.00	10.29	
2	2.23.0111.12000	DD250E-0111120B		定子分组件	Stator comp	1			62.00	9.12	
3	2.22.0111.13000	DD250E-0111130C		超越离合器组件	Starting clutch	1			23.50	3.46	
10	2.20.0111.13700	DD250E-0111137		内六角螺钉M8x16-	Screw M8*16-ZnD	3			5.00	0.74	
11	2.23.0111.15000	DD300E-0111150B		传感器分组件	Sensor set	1			9.00	1.32	
12	2.20.0111.30010	DD250E-0111300ZH		点火线圈组件(450长)	ignition coil	1			19.80	2.91	
13	2.23.0111.40000	DD300E-6-0111400		调压整流器(直流)	rectifier regulator	1			59.00	8.68	
14	2.23.0111.50000	DD250E-9-0111500		点火器	igniter	1			53.00	7.79	

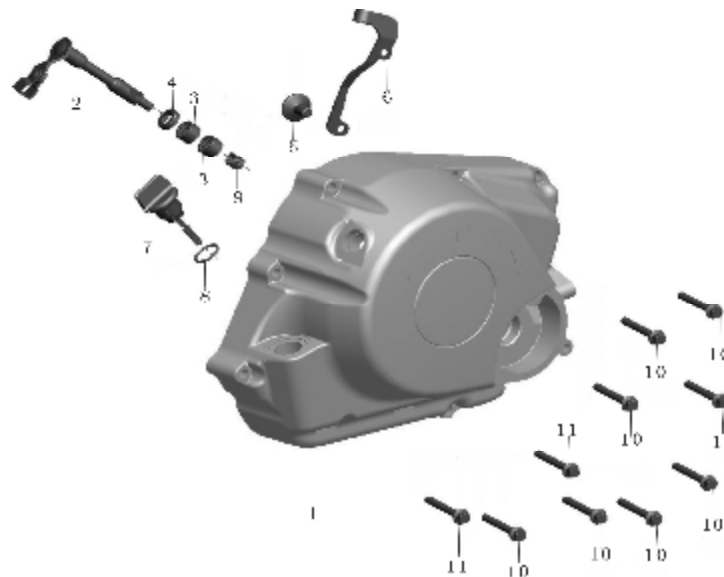
**E-12: 右曲轴箱盖总成 (Right crankcase cover assembly)**



**E-12: 右曲轴箱盖总成 (Right crankcase cover assembly)**

序号	物料编码	旧零件图号	新零件图号	物料名称	物料名称	用量	设计变更	设计时间	单价	单价	备注
NO.	PART CODE	Old drawing ref.code	New drawing ref.code	Description	Description	Quantity	Design change	Date	RMB	USD	Remark
1	2.23.0112.1010S	DD250E-9-0112101		右曲轴箱盖	Cover comp, right crankcase	1			132.00	19.41	
2	2.20.0112.1100S	DD250E-0112110A		分离杆组件	lever comp, clutch	1			10.00	1.47	
3	2.20.0112.12000	DD250E-0112120		轴承HK1210	Bearing HK1210	2			2.90	0.43	
4	2.20.0112.13000	DD250E-0112130		油封12×18×5	Oil seal 12×18×5	1			1.60	0.24	
5	2.20.0112.10200	DD250E-0112102A		推盘	Pin, clutch lifter	1			1.70	0.25	
6	2.20.0112.1030S	DD250E-0112103A		定位钩	Receiver, clutch cable	1			2.90	0.43	
7	2.20.0112.14000	DD250E-0112141A		油尺	Gauge, oil level	1			1.80	0.26	
8	2.20.0112.14200	DD250E-0112142A		O形密封圈Φ18×3	O- ringΦ18×3	1			1.00	0.15	
9	2.20.0112.10600	DD250E-0112106A		扭簧 (S)	Spring S	1			1.00	0.15	
10	2.20.0112.0010S	DD250E-0112001A		螺栓M6×40	Bolt M6×40	7			1.00	0.15	
11	2.20.0112.0020S	DD250E-0112002A		螺栓M6×50	Bolt M6×50	3			1.00	0.15	

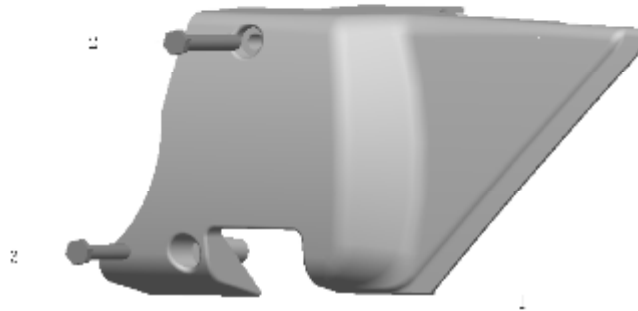
**E-12: 右曲轴箱盖总成 (Right crankcase cover assembly) 新模具**



**E-12: 右曲轴箱盖总成 (Right crankcase cover assembly) 新模具**

序号	物料编码	旧零件图号	新零件图号	物料名称	物料名称	用量	设计变更	设变时间	单价	单价	备注
NO.	PART CODE	Old drawing ref.code	New drawing ref.code	Description	Description	Quantity	Design change	Date	RMB	USD	Remark
1	2.23.0112.10211	DD262MP-0103210B		右曲轴箱盖	Cover comp, right crankcase	1			150.00	22.06	
2	2.20.0112.1100S	DD250E-0112110A		分离杆组件	lever comp, clutch	1			10.00	1.47	
3	2.20.0112.12000	DD250E-0112120		轴承HK1210	Bearing HK1210	2			2.90	0.43	
4	2.20.0112.13000	DD250E-0112130		油封12×18×5	Oil seal 12×18×5	1			1.60	0.24	
5	2.20.0112.10200	DD250E-0112102A		推盘	Pin, clutch lifter	1			1.70	0.25	
6	2.20.0112.1030S	DD250E-0112103A		定位钩	Receiver, clutch cable	1			2.90	0.43	
7	2.20.0112.14000	DD250E-0112141A		油尺	Gauge, oil level	1			1.80	0.26	
8	2.20.0112.14200	DD250E-0112142A		O形密封圈Φ18×3	O- ringΦ18×3	1			1.00	0.15	
9	2.20.0112.10600	DD250E-0112106A		扭簧(S)	Spring S	1			1.00	0.15	
10	2.20.0112.0010S	DD250E-0112001A		螺栓M6×40	Bolt M6×40	7			1.00	0.15	
11	2.20.0112.0020S	DD250E-0112002A		螺栓M6×50	Bolt M6×50	3			1.00	0.15	

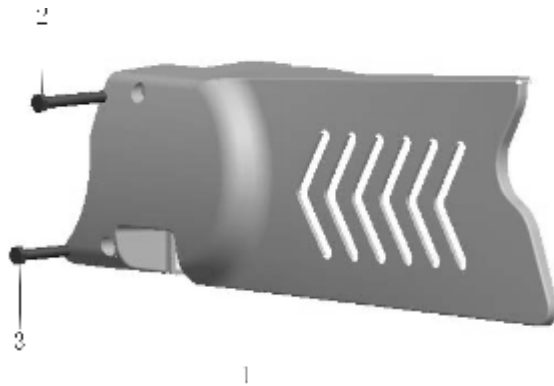
**E-13: 左曲轴箱后盖总成 (Left rear crankcase cover assembly)**



**E-13: 左曲轴箱后盖总成 (Left rear crankcase cover assembly)**

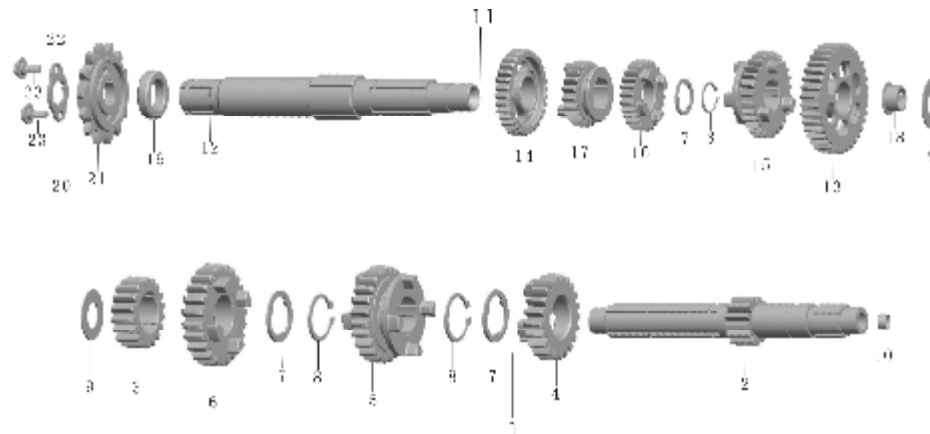
序号	物料编码	旧零件图号	新零件图号	物料名称	物料名称	用量	设计变更	设变时间	单价	单价	备注
NO.	PART CODE	Old drawing ref.code	New drawing ref.code	Description	Description	Quantity	Design change	Date	RMB	USD	Remark
1	2.20.0113.1000S	DD250E-0113100B		左曲轴箱后盖	Left rear crankcase	1			50.00	7.35	
2	2.20.0113.0010S	DD250E-0113001		螺栓 M6X46	Bolt M6X46	1			3.00	0.04	
3	2.20.0113.0020S	DD250E-0113002		螺栓 M6X60	Bolt M6X60	1			3.00	0.04	

E-13: 左曲轴箱后盖总成 (Left rear crankcase cover assembly) 跑车



序号	物料编码	旧零件图号	新零件图号	物料名称	物料名称	用量	设计变更	设计时间	单价	单价	备注
NO.	PART CODE	Old drawing ref.code	New drawing ref.code	Description	Description	Quantity	Design change	Date	RMB	USD	Remark
1	2.26.0113.1000S	DD250E-6-0113100		左曲轴箱后盖	Left rear crankcase	1			75.00	11.03	
2	2.20.0113.0010S	DD250E-0113001		螺栓 M6X46	Bolt M6X46	1			3.00	0.44	
3	2.20.0113.0020S	DD250E-0113002		螺栓 M6X60	Bolt M6X60	1			3.00	0.44	

E-14: 变速器总成 (Transmission assembly)

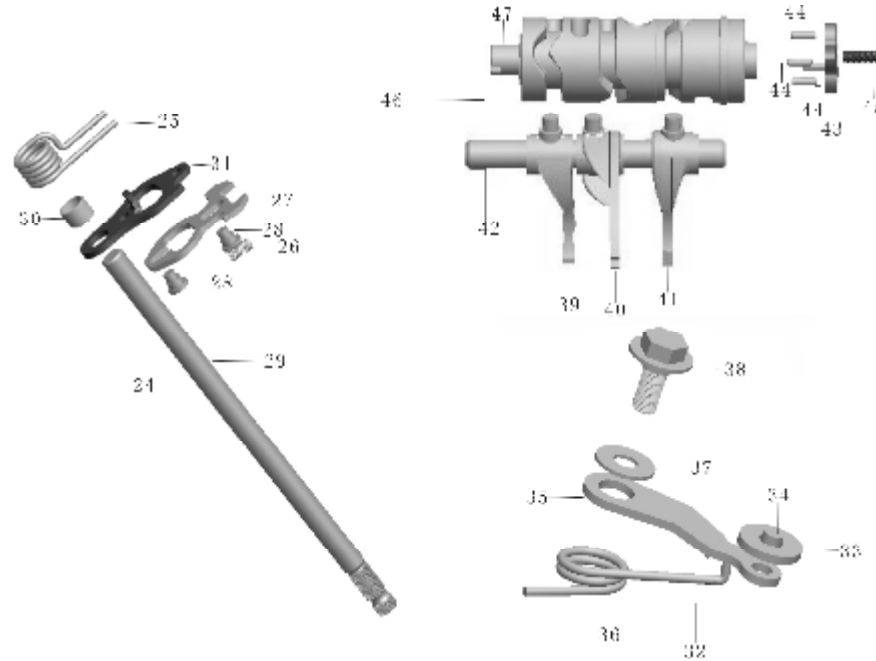




E-14: 变速器总成 (Transmission assembly)

序号	物料编码	旧零件图号	新零件图号	物料名称	物料名称	用量	设计变更	设变时间	单价	单价	备注
NO.	PART CODE	Old drawing ref.code	New drawing ref.code	Description	Description	Quantity	Design change	Date	RMB	USD	Remark
1	2.20.0114.10000	DD250E-0114100A		主轴组件 (富川)	main shaft	1			110.00	16.18	
11	2.20.0114.20020	DD250E-0114200B		副轴组件 (富川)	Countershaft	1			110.00	16.18	
12	2.20.0114.20030	DD250E-0114201C		副轴 (富川)	Countershaft comp	1			92.00	13.53	
20	2.20.0114.40110	DD250E-0114400A		副轴链轮组件	counter shaft assy	1			19.00	2.79	
22	2.20.0114.40200	DD250E-0114402A		副轴链轮固定板	Plate fixing	1			3.00	0.44	
23	2.99.24.060100R	GB5783-86 M6×10		螺栓M6×10/ZnD	Bolt M6×10/ZnD	2			1.00	0.15	

E-14: 变速器总成 (Transmission assembly) 档显

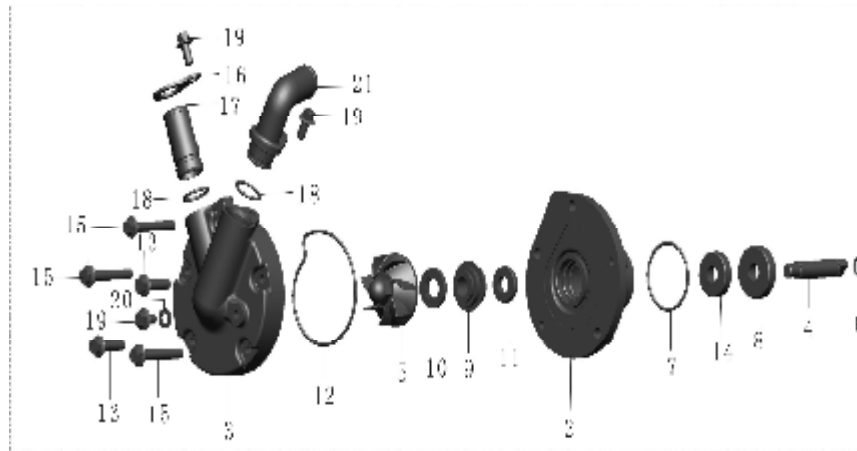


E-14: 变速器总成 (Transmission assembly) 档显

序号	物料编码	旧零件图号	新零件图号	物料名称	物料名称	用量	设计变更	设变时间	单价	单价	备注
NO.	PART CODE	Old drawing ref.code	New drawing ref.code	Description	Description	Quantity	Design change	Date	RMB	USD	Remark
24	2.25.0114.30000	DD250E-0114300C		换挡杆机构	Spindle comp. gearshift	1			19.00	2.79	
32	2.20.0114.50000	DD250E-0114500A		托轮机构	Stopper comp. gearshift drum	1			2.50	0.37	
36	2.20.0114.50100	DD250E-0114501	DD250E-	扭转弹簧	Spring, shift drum stopper	1			1.00	0.15	
37	2.20.0114.50200	DD250E-0114502A		垫圈6	Washer 6	1			0.50	0.07	
38	2.20.0114.5030R	DD250E-0114503	DD250E-01	螺钉M6×12	Screw M6×12	1			1.00	0.15	

39	2.20.0114.00100	DD250E-0114001		换挡拨叉(左)	Fork, left gearshift	1			11.70	1.72	
40	2.20.0114.00200	DD250E-0114002		换挡拨叉(中)	Fork, center gearshift	1			11.70	1.72	
41	2.20.0114.00300	DD250E-0114003		换挡拨叉(右)	Fork, right gearshift	1			11.7	1.72	
42	2.20.0114.00400	DD250E-0114004A		拨叉轴	Shaft, gearshift fork guide	1			3.00	0.44	
43	2.20.0114.00500	DD250E-0114005	DD250E-01	换挡凸轮	Plate, drum stopper	1			7.70	1.13	
44	2.20.0114.00600	DD250E-0114006	DD250E-01	圆柱销	Pin, gearshift drum	4			0.10	0.01	
45	2.20.0114.0070R	DD250E-0114007	DD250E-01	螺钉M6×20	Screw M6×20	1			1.00	0.15	
47	2.20.0114.60010	DD250E-0114601	DD250E-01	换挡凸轮鼓挡盖	Drum, gearshift	1			28.80	4.24	

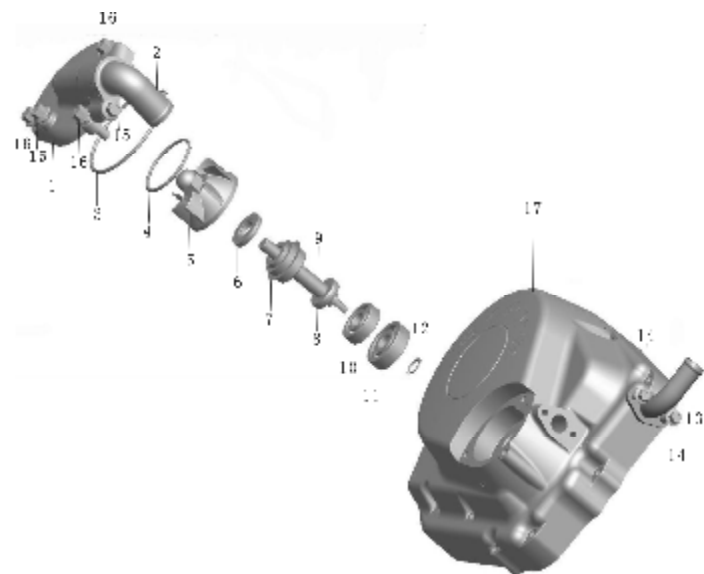
E-16: 水泵总成(Water pump assembly)-老模具



E-16: 水泵总成(Water pump assembly)-老模具

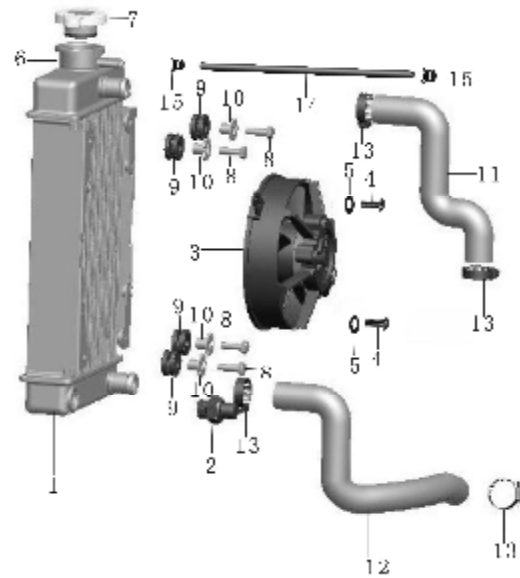
序号	物料编码	旧零件图号	新零件图号	物料名称	物料名称	用量	设计变更	设计变更时间	单价	单价	备注
NO.	PART CODE	Old drawing ref.code	New drawing ref.code	Description	Description	Quantity	Design change	Date	RMB	USD	Remark
1	2.23.0116.00000	DD250E-9-0116000		水泵分总成	Water pump comp	1		s	40.00	5.88	
2	2.23.0116.0010S	DD250E-9-0116001		水泵壳体	Water pump hull	1			16.00	2.35	
3	2.23.0116.0020S	DD250E-9-0116002		水泵盖	Water pump cover	1			19.00	2.79	
4	2.23.0116.00300	DD250E-9-0116003		水泵轴	Water pump shaft	1			3.00	0.44	
5	2.23.0116.00402	DD250E-9-0116004		叶轮	Fan	1			3.00	0.44	
6	2.99.63.0800000	GB896-86		挡圈8	Retaining ring 8	1			0.30	0.04	
7	2.23.0116.00500	DD250E-9-0116005		O型圈φ36x2	O-ring φ 36x2	1			0.60	0.09	
8	2.99.70.0620000	GB/T276-94		轴承6200	Bearing 6200	1			6.00	0.88	
9	2.23.0116.10000	DD250E-9-0116100		水封A	Water seal A	1			18.00	2.65	
10	2.23.0116.20000	DD250E-9-0116200		水封B	Water seal B	1			2.00	0.29	
11	2.23.0116.30000	DD250E-9-0116300		油封21x10x5	Oil seal 21x10x5	1			1.50	0.22	
12	2.23.0116.00600	DD250E-9-0116006		泵盖密封圈	O-ring of pump cover	1			1.50	0.22	
13	2.23.0116.0110S	DD250E-9-0116011		螺栓M6x29	Bolt M6x30	2			2.50	0.37	
14	2.99.70.0600000	GB/T276-94		轴承6000	Bearing 6000	1			4.20	0.62	
15	2.20.0112.0010S	DD250E-0112001A		螺栓M6x40	Bolt M6x40	3			1.00	0.15	
16	2.23.0101.0240S	DD250E-9-0101024		水管接头压板	Hose connector setting plate	1			0.50	0.07	
17	2.23.0101.0250S	DD250E-9-0101025		水管接头	Hose connector	1			3.00	0.44	
18	2.23.0101.02600	DD250E-9-0101026		O型圈φ17x2	O-ring φ 17x2	2			0.50	0.07	
19	2.99.26.060120S	GB5787-86		螺栓M6x12	Bolt M6x12	3			1.50	0.22	
20	2.99.55.0600000	GB/T848-2000		垫圈6	Washer 6	1			0.10	0.01	
21	2.23.0116.0120S	DD250E-9-0116012		水泵进水管接头	inlet water pump connector	1			7.00	1.03	

E-16: 水泵总成(Water pump assembly)-新改模具



序号	物料编码	旧零件图号	新零件图号	物料名称	物料名称	用量	设计变更	设计时间	单价	单价	备注
NO.	PART CODE	Old drawing ref.code	New drawing ref.code	Description	Description	Quantity	Design change	Date	RMB	USD	Remark
1	2.23.0116.0020S	DD250E-9-0116002		水泵盖	Water pump cover	1			19.00	2.79	
2	2.23.0116.0120S	DD250E-9-0116012		水泵进水管接头	inlet water pump connector	1			7.00	1.03	
3	2.23.0116.00600	DD250E-9-0116006		泵盖密封圈	O-ring of pump cover	1			1.50	0.22	
4	2.23.0116.00500	DD250E-9-0116005		O型圈 φ 36x2	O-ring φ 36x2	1			0.60	0.09	
5	2.23.0116.00402	DD250E-9-0116004		叶轮	Fan	1			3.00	0.44	
6	2.23.0116.20000	DD250E-9-0116200		水封B	Water seal B	1			2.00	0.29	
7	2.23.0116.10000	DD250E-9-0116100		水封A	Water seal A	1			18.00	2.65	
8	2.23.0116.30000	DD250E-9-0116300		油封 21x10x5	Oil seal 21x10x5	1			1.50	0.22	
9	2.23.0116.00300	DD250E-9-0116003		水泵轴	Water pump shaft	1			3.00	0.44	
10	2.99.70.0600000	GB/T276-94		轴承6000	Bearing 6000	1			4.20	0.62	
11	2.99.70.0620000	GB/T276-94		轴承6200	Bearing 6200	1			6.00	0.88	
12	2.99.63.0800000	GB896-86		挡圈8	Retaining ring 8	1			0.30	0.04	
13	2.23.0112.1090S	DD253MM-0112109		水管接头	hose connector	1			5.00	0.74	
14	2.99.06.060160S	GB5787-86		螺栓M6x16	bolt M6*16	2			1.00	0.15	
15	2.99.26.060120S	GB5787-86		螺栓M6x12	bolt M6*12	2			1.50	0.22	
16	2.20.0108.0040S	DD250E-0108004A		螺栓M6x20	bolt M6*20	3			1.00	0.15	
17	2.23.0112.10211	DD253MM-0112101A		右曲轴箱盖	left crankcase cover	1			150.00	22.06	

E-17: 冷却系统(Cooling system)与气缸盖新模具匹配



E-17: 冷却系统(Cooling system)与气缸盖新模具匹配

序号	物料编码	旧零件图号	新零件图号	物料名称	物料名称	用量	设计变更	设计变更时间	单价	单价	备注
NO.	PART CODE	Old drawing ref.code	New drawing ref.code	Description	Description	Quantity	Design change	Date	RMB	USD	Remark
1	2.23.0117.11000	DD250E-9-0117110C		水箱	Radiator	1			230.00	33.82	
2	2.23.0117.12000	DD250E-9-0117120		风扇开关	Fan motor switch	1			40.00	5.88	
3	2.23.0117.20000	DD250E-9-0117200		风扇组件	Fan set	1			70.00	10.29	
4	2.99.22.050100R	GB/T818-2000		螺栓M5x12	Bolt M5x12	2			0.50	0.07	
5	2.99.54.0500000	GB96-85		平垫圈5	Washer 5	2			0.50	0.07	
7	2.23.0117.41000	DD250E-9-0117410		水箱盖	Radiator cap	1			8.00	1.18	
8	2.20.0108.0040S	DD250E-0108004A		螺栓M6x20	Bolt M6x20	4			1.00	0.15	
9	2.24.0117.00700	DD250E-9A-0117007		水箱减震垫	Radiator cushion Washer	4			4.50	0.66	
10	2.24.0117.00600	DD250E-9A-0117006		水箱减震垫钢套	Radiator Cushion Washer	4			4.50	0.66	
11	2.23.0117.00100	DD250E-9-0117001A		水箱进水管	Hose of water enter radiator	1			4.00	0.59	
12	2.23.0117.00200	DD250E-9-0117002B		水箱出水管	Hose of water out-flow from	1			10.80	1.59	
13	2.23.0117.01000	DD250E-9-0117010		管夹	Tube clip	6			2.00	0.29	
14	2.23.0117.00500	DD250E-9-0117005		辅助水箱进水管	Hose of water enter reservoir	1			15.00	2.21	
15	2.23.0117.00300	DD250E-9-0117003		水管夹	Hose clip	2			1.20	0.18	